

12.1" High-resolution, multi-color portrait LCD

MARINE RADAR

Optimized detection with variable antenna rotation speeds

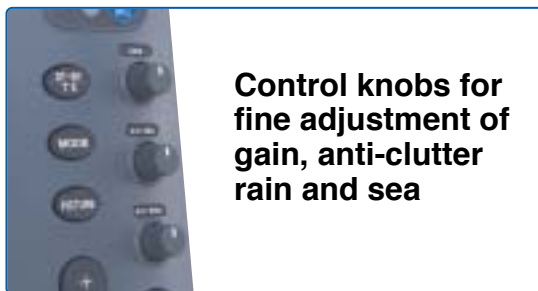
Models FR-8062/8122/8252

(6 kW)

(12 kW)

(25 kW)

- ▶ **High resolution 12.1" SVGA color TFT LCD display with 7 levels of target gradation**
- ▶ **Choice of output power from 6, 12 or 25 kW**
- ▶ **Superior short range target detection capability**
- ▶ **Advanced auto modes for gain, tuning and AC rain/sea**
- ▶ **48 rpm antenna for high-speed craft**
- ▶ **True motion echo trail compares own ship's and other ship's trails**
- ▶ **Unique picture function makes quick switch to user customized radar settings**
- ▶ **Auto plotter ARP-11 for automatic plotting of 10 targets (option)**
- ▶ **Display 100 AIS-equipped targets (option)**



	Antenna rotation speed	Output power	Antenna length**
FR-8062*	Either 24 rpm or 24/36/48 rpm	6 kW	4 ft
FR-8122	24/36/48 rpm	12 kW	6 ft
FR-8252	24/36/48 rpm	25 kW	

*Specify the antenna rotation speed on FR-8062 when ordering
**Specify the antenna length when ordering



NOTE:
This unit photo is a composite image.
The detailed shape of the unit and screen image may differ from the real product.



The future today with FURUNO's electronics technology.

FURUNO ELECTRIC CO., LTD.

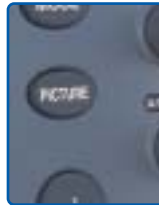
9-52 Ashihara-cho, Nishinomiya City, Japan Phone: +81 (0)798 65-2111
Fax: +81 (0)798 65-4200, 66-4622 URL: www.furuno.co.jp

Catalogue No. NPG-R36

TRADE MARK REGISTERED
MARCA REGISTRADA



Echo trail clearly shows other ships' tracks. The unique feature of "own ship echo trail" allows you to observe other ships' movements by comparing the trail length or course. You can swiftly plan where to navigate.



By pressing the "Picture" button, you can memorize the current echo settings, such as pulse length, echo average, noise rejection, etc. When you are in the specific situation again requiring the same echo settings: rain, rough sea and narrow channel, you can switch to the saved settings quickly.

SPECIFICATIONS OF FR-8062/8122/8252

ANTENNA RADIATOR

Type	Slotted waveguide array open radiator
Length	4 ft (XN12A) or 6 ft (XN13A)
Rotation Speed	
FR-8062*	24 rpm or 24/36/48 rpm
FR-8122/8252:	24/36/48 rpm
*Specify the antenna rotation speed when ordering FR-8062	
Wind Load	70 kt relative wind
Beamwidth	
4 ft (XN12A):	Hor. 1.9°, Vert. 22°
6 ft (XN13A):	Hor. 1.35°, Vert. 22°

RF TRANSCEIVER

Frequency	9410 ± 30 MHz (X-band)
Output Power	
FR-8062:	6 kW
FR-8122:	12 kW
FR-8252:	25 kW

DISPLAY

Screen Size	12.1" color LCD
Effective Viewing Area	184 (H) x 246 (V) mm
Pixel Number	600 (H) x 800 (V), SVGA
Effective Diameter	184 mm
Colors	128 colors
Echo color levels	7 levels
Display Modes	Head-up, Course-up**, North-up**, True motion***
	** Heading data required
	*** Heading and speed data required
Range Units	nm, sm, km
Range Scales and Range Ring Intervals (nm)	
Range:	1/8, 1/4, 1/2, 3/4, 1, 1.5, 2, 3, 4, 6, 8, 12, 16, 24, 36, 48, 64, 72, 96
Rings:	1/16, 1/8, 1/4, 1/2, 1, 2, 3, 4, 6, 12, 16, 18, 24
Minimum Range	25 m on 0.25 nm range
Range Discrimination	20 m or better
Echo Trails	
Type	True or relative trails
Trail Length:	15, 30 sec., 1, 3, 6, 15, 30 min., or continuous
Trail Width:	Narrow, Normal
Plotting Facilities (Required optional board ARP-11)	
Acquisition:	Auto, Manual
Number of targets:	10 targets in 0.1-32 nm

AIS Functions (Data input from AIS is required)

Symbols:	Sleeping, Activated, Dangerous, Selected, Lost targets
Number of targets:	100 targets max.

INTERFACE

Input	NMEA0183 Ver. 1.5/2.0
Output	NMEA0183, Analog RGB video(option)

ENVIRONMENT

Temperature	
Antenna Unit	-25°C to +70°C (-13°F to +158°F)
Display Unit:	-15°C to +55°C (5°F to +131°F)
Waterproofing	
Antenna Unit	IPX6
Display Unit:	IPX5 (front panel)

POWER SUPPLY

FR-8062:	12-24 VDC, 3.2 A
FR-8122:	12-24 VDC, 3.8 A
FR-8252:	12-24 VDC, 5.0 A

EQUIPMENT LIST

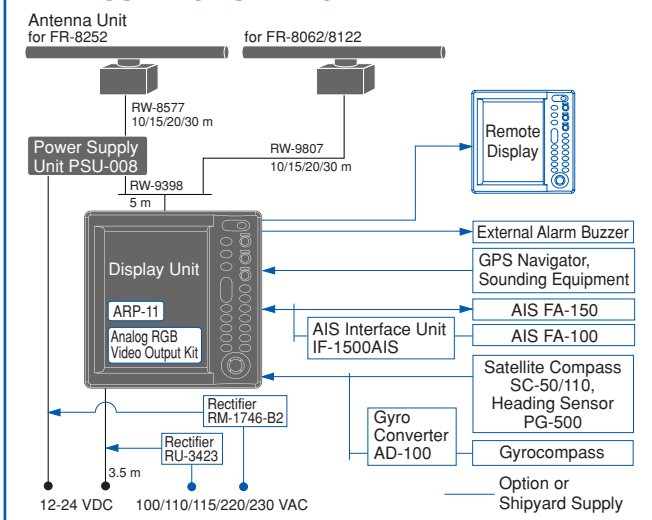
Standard

1. Display Unit	1 unit
2. Antenna Unit (Specify when ordering)	1 unit
3. Antenna Cable 10, 15, 20 or 30 m	1 pc.
4. Power Cable 3.5 m	1 pc.
5. Power Supply Unit for FR-8252	1 unit
6. Installation materials and spare parts	1 set

Option

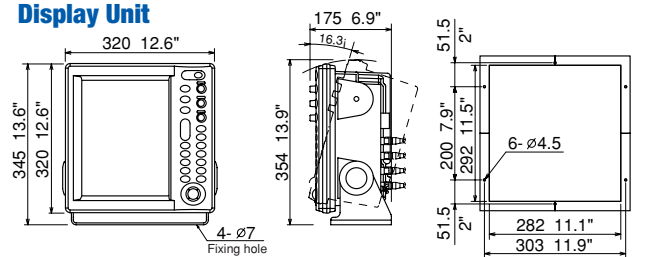
1. Rectifier	RU-3423
	RM-1746-B2 for FR-8252
2. Interface Cable	MJ-A7SPF0007-050, 5 m
	MJ-A6SPF0007-100, 10 m
3. External Alarm Buzzer	OP03-21
4. Auto Plotter	ARP-11 (built in display unit)
5. Gyro Converter	AD-100
6. AIS Interface Unit	IF-1500AIS
7. Analog RGB Video Output Kit for remote display(built in display unit)	

INTERCONNECTION DIAGRAM

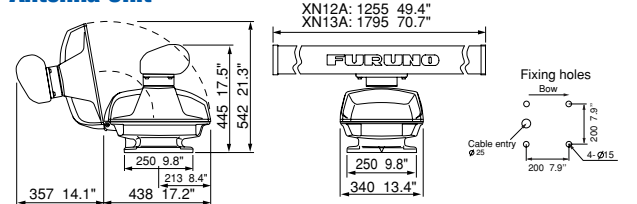


SPECIFICATIONS SUBJECT TO CHANGE WITHOUT NOTICE

Display Unit



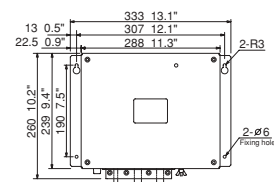
Antenna Unit



Power Supply Unit

PSU-008

(for FR-8252)



FURUNO U.S.A., INC.
Camas, Washington, U.S.A.
Phone: +1 360-834-9300
Fax: +1 360-834-9400

FURUNO (UK) LIMITED
Denmead, Hampshire, U.K.
Phone: +44 2392-230303
Fax: +44 2392-230101

FURUNO FRANCE S.A.
Bordeaux-Mérignac, France
Phone: +33 5 56 13 48 00
Fax: +33 5 56 13 48 01

FURUNO ESPAÑA S.A.
Madrid, Spain
Phone: +34 91-725-90-88
Fax: +34 91-725-98-97

FURUNO DANMARK AS
Hvidovre, Denmark
Phone: +45 36 77 45 00
Fax: +45 36 77 45 01

FURUNO NORGE A/S
Ålesund, Norway
Phone: +47 70 102950
Fax: +47 70 127021

FURUNO SVERIGE AB
Västra Frölunda, Sweden
Phone: +46 31-7098940
Fax: +46 31-497093

FURUNO FINLAND OY
Espoo, Finland
Phone: +358 9 4355 670
Fax: +358 9 4355 6710

FURUNO POLSKA Sp. Z o.o.
Gdynia, Poland
Phone: +48 58 669 02 20
Fax: +48 58 669 02 21

PRINTED WITH SOYINK, 0505/5SS Printed in Japan